

ERF2000

easyRF

ISM Transceiver for 868MHz



Small, Smart, Simple... easyRF!

Features

- 868MHz Frequency range
- 121dBm Sensitivity
- Up to +13dBm output power range
- Low power consumption
- 30mA@+13dBm transmit mode
- Ultra low power shutdown mode
- Digital RSSI
- Antenna diversity and TR switch control
- Frequency hopping capability
- Size: 16mm x 16mm x 4mm

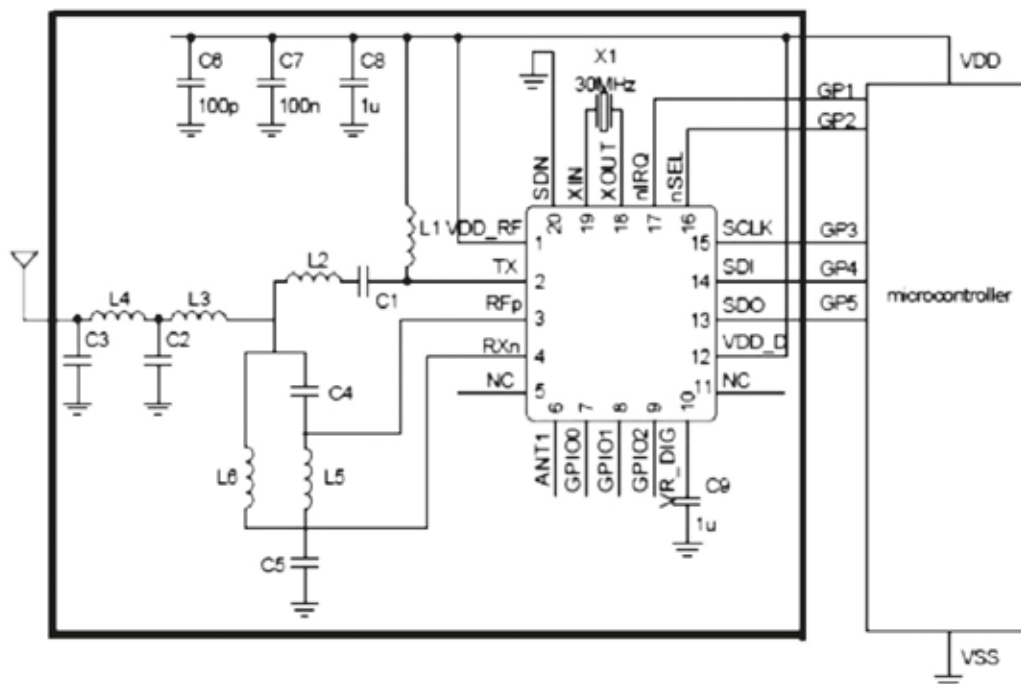


Discover more on: www.easyRF.eu

Product	ERF2000
RF specs	<ul style="list-style-type: none"> - 868MHz Frequency range - -121 dBm sensitivity - Up to +13dBm output power range - Antenna diversity and TR switch control - Frequency hopping capability - Digital RSSI - Up to 256kbps data rate - FSK, GFSK and OOK modulation - Based on Si4431
Peripherals	<ul style="list-style-type: none"> - Temperature sensor - 12-bit A/D converter - SPI interface
Power	<ul style="list-style-type: none"> - 1.8~3.6V Supply voltage - Low battery detector - Low power consumption - 18.5mA receive mode - 30mA@+13dBm Transmit mode - Ultra low power shutdown mode
Size	- 16mm x 16mm x 4mm



Block diagram



easyRF delivers easy-to-use products

IoT - Internet of Things modules, RF-tranceivers, easyTracer modules, Antennas, RF-cable assemblies, RF-connectors